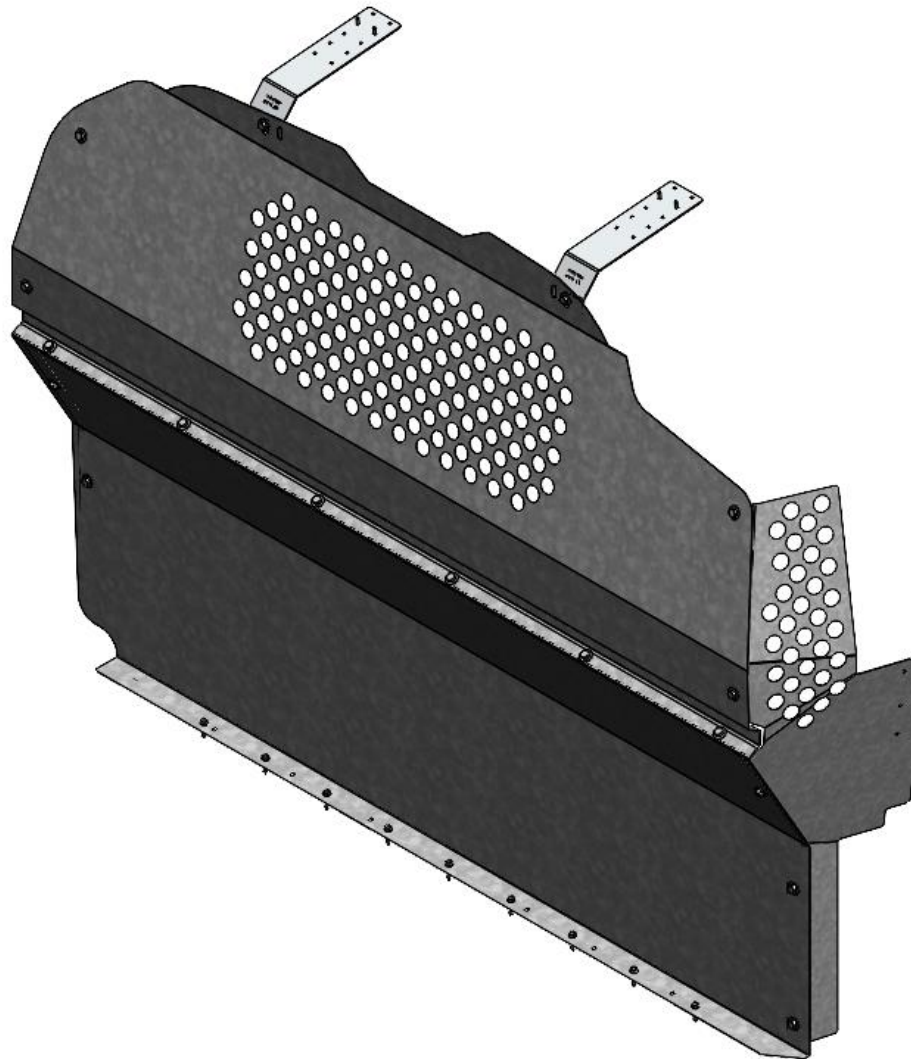


INSTALLATION GUIDE



C10-B

Partition, Contoured, E-Series

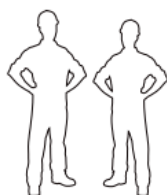


SAFETY INSTRUCTIONS

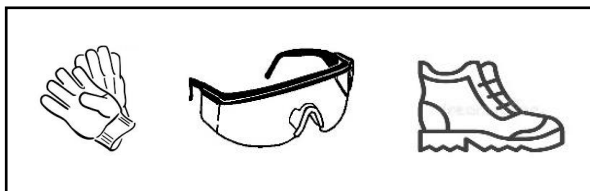
Before the installation, carefully read the supplied installation guide to avoid possible injuries and damages resulting from incorrect installation. Always keep the installation guide in an accessible location at all times for reference during installation.

WARNING

- Only a qualified person/s should install this product.
- This product requires 2 persons to install.
- Always use safety gloves, glasses, and shoes.



²
PERSONS

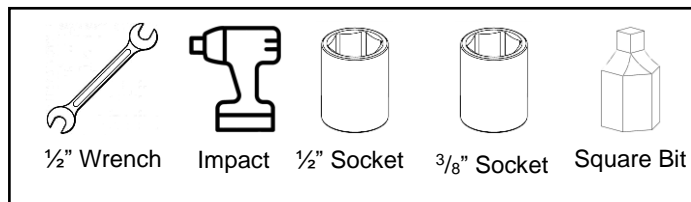


CAUTION

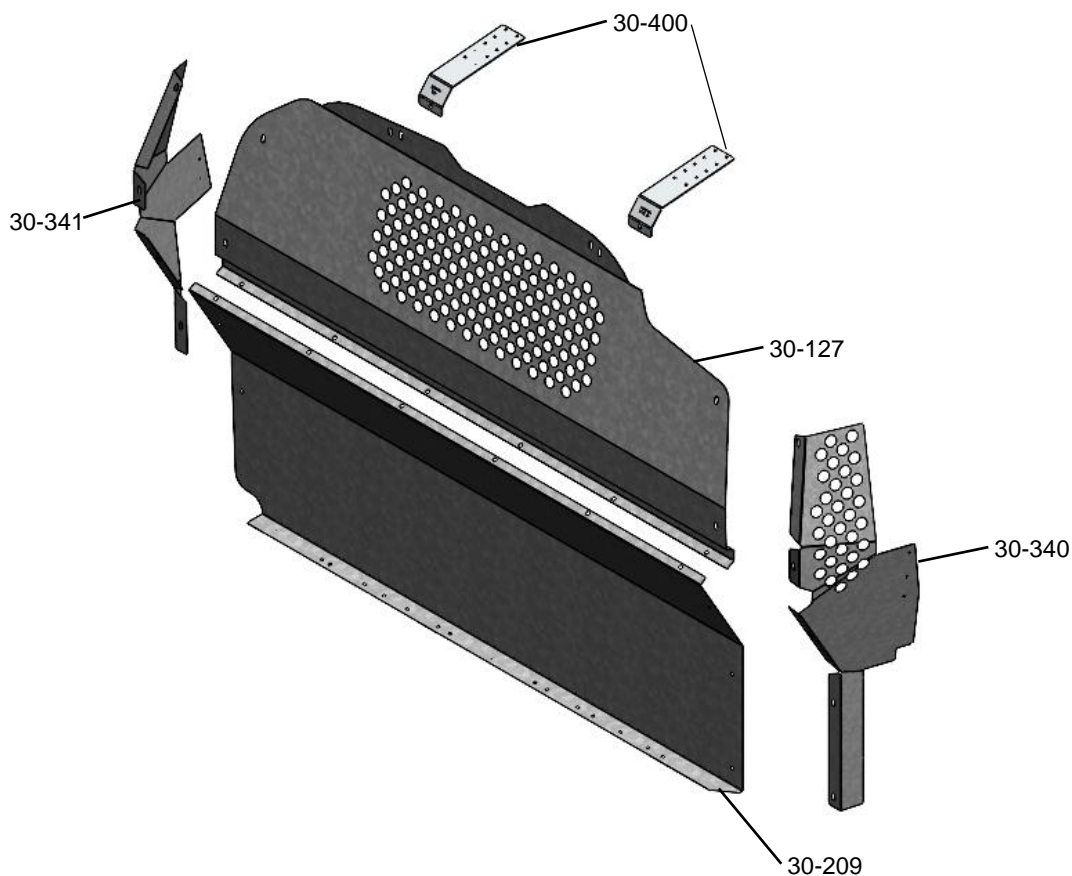
- Follow all vehicle manufacturer instructions before attempting any installation.
- Before screwing into the vehicle, use caution to avoid wiring harnesses, fuel tanks and battery modules.

PREPARATION

Tools Needed



BILL OF MATERIALS



Bill of Materials

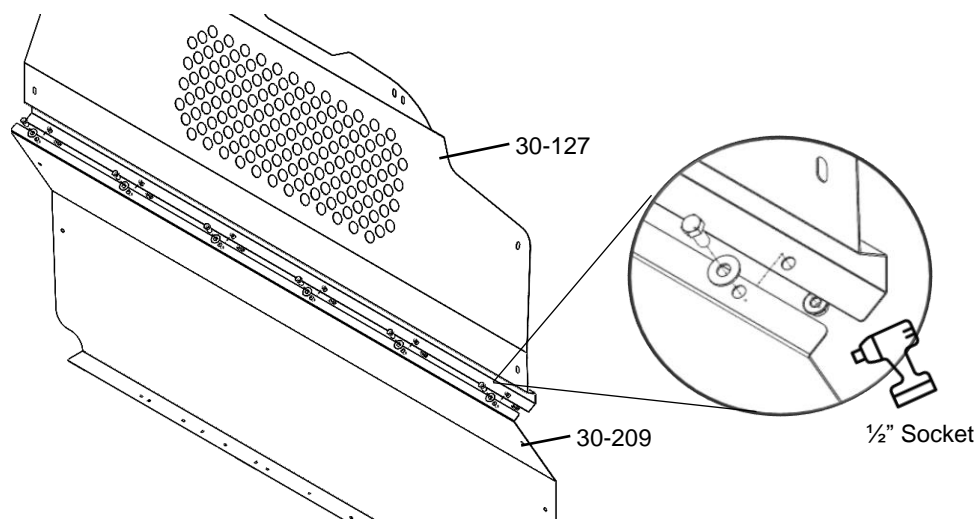
Item No.	Description	Qty.
30-127	Upper panel perforated, full-size van	1
30-209	Lower panel, full-size van	1
30-340	Wing, pass side, E-Series	1
30-341	Wing, driver side, E-Series	1
30-400	Ceiling bracket	2
30-500x174	Edge Trim, 5/8" x 174" Long	1
79-932	Warning label - Bilingual, partition	1
90-3077	Fastener kit for C10-B,C12-B	1

Hardware Kit 90-3077

Item No.	Description	Qty.
90-204	Bolt hx-hd gr5 5/16"-18x3/4" zinc	17
92-104	Screw HWH tpAB #14x1-1/4" zinc	9
92-174	Screw pn-hd sq-dr tpA #10x3/4" zinc	4
94-116	Nut srr-flg 5/16"-18 zinc	17
98-116	Flat washer USS 5/16" O.D. 7/8" zinc	17

ASSEMBLY

STEP 1



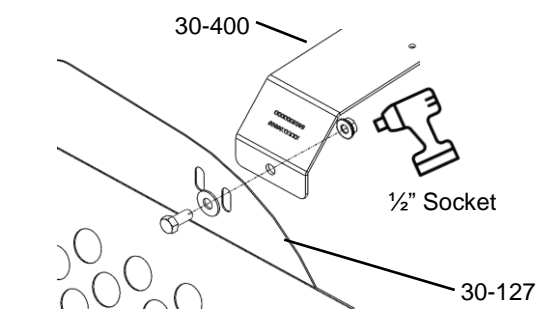
- Tools:**
- Impact
 - 1/2" socket
 - 1/2" wrench

6x Torque to 17ftlbs

Hex-hd
5/16"-18x3/4"

Flat
Washer 5/16
Srr-flg nut
5/16-18

STEP 2



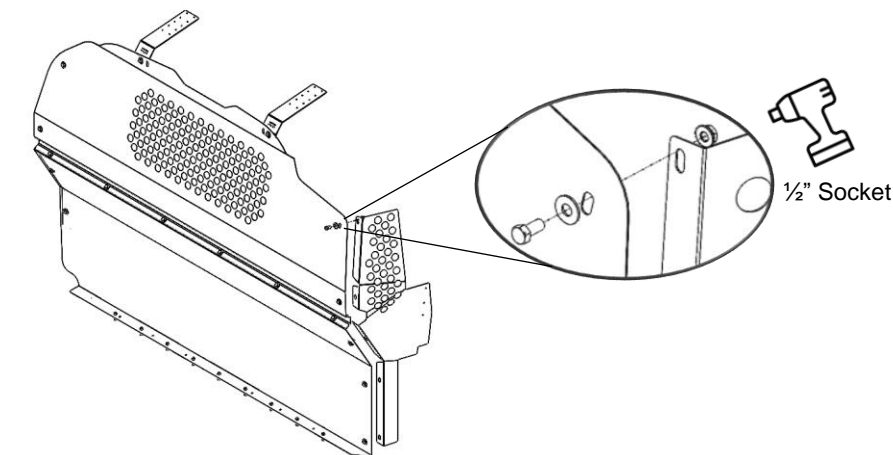
- Tools:**
- Impact
 - 1/2" socket

2x Torque to 17ftlbs

Hex-hd
5/16"-18x3/4"

Flat
Washer 5/16
Srr-flg nut
5/16-18

STEP 3



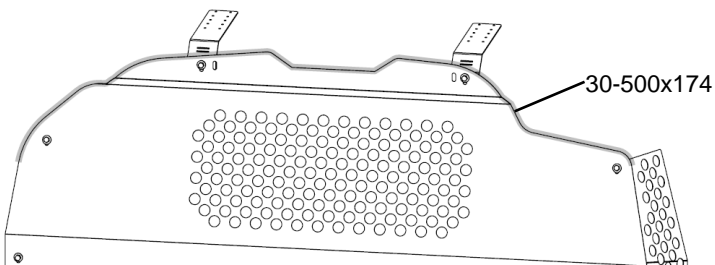
- Tools:**
- Impact
 - 1/2" socket

9x Torque to 17ftlbs

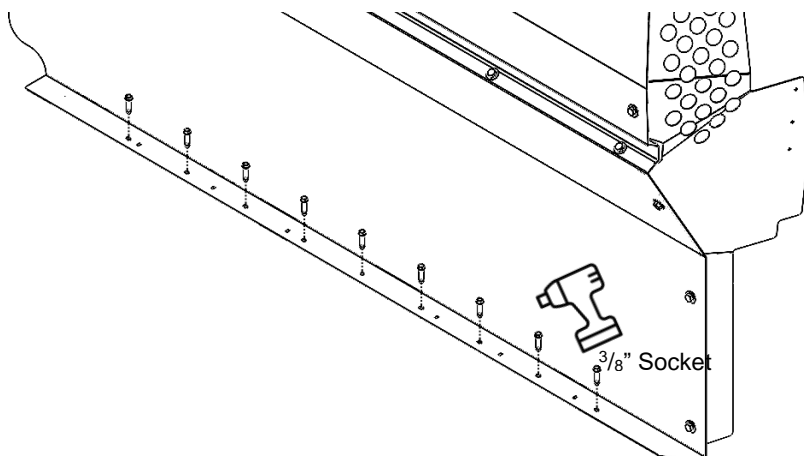
Hex-hd
5/16"-18x3/4"

Flat Washer
5/16
Srr-flg nut
5/16-18

STEP 4



STEP 5



Tools:

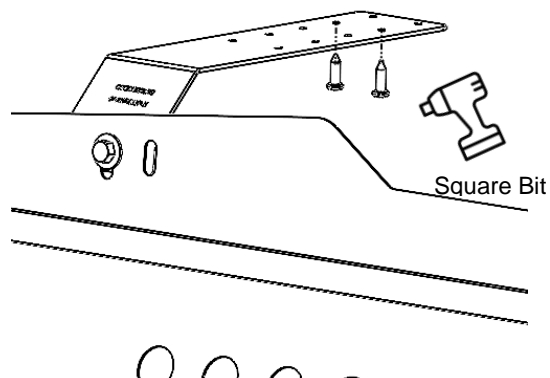
- Impact
- 3/8 socket

9x



Screw
#14x1-1/4"

STEP 6



Tools:

- Impact
- Square driver

4x



Pn-Hd sr-dr
#10x3/4

“You have successfully installed your C10-B, thank you for doing business with us.”

For any feedback or suggestions, you may have, please contact: cs@rangerdesign.com

